



# Instant Table™ Modular Display Spec Sheet

## Instant Table™

The Instant Table™ is a modular display that is easily transportable, and sets up in seconds with no tools or additional parts. Lightweight and portable, this table can support hundreds of pounds and can be stacked into various configurations to change your display instantly.



Event Marketing   Rental Industry   Business & Civic Events   Portable Signage   Rental Industry   Catering Events  
 Instant Signage   Corporate Events   Catering   Trade Shows   Indoor & Outdoor Display   Exhibit Booths  
 Sponsorship Recognition   Advertisement   Party Rentals   Commercial Use   Racing   Product Demonstrations

### FEATURES:

- ◇ Sets Up in Seconds!™  
No Tools Needed  
No Loose Parts
- ◇ Sizes: 2' x 2' (0.6 m x 0.6 m) and 2' x 4' (0.6 m x 1.2 m)
- ◇ Stackable
- ◇ Lightweight and Portable
- ◇ Supports Distributed Weight Load  
2' x 2' (0.6 m x 0.6 m) = 175 lbs. (79.4 kg)  
2' x 4' (0.6 m x 1.2 m) = 300 lbs. (136.1 kg)
- ◇ Universal Aluminum Folding Top
- ◇ Fixed Shelf Positions
- ◇ Locking Table Connectors
- ◇ Soft Surface Footpads
- ◇ Push Button Toggles
- ◇ 3 Height Adjustments 31", 35" and 42" (80 cm, 90 cm and 107 cm)
- ◇ Includes Convenient Polyester Carry Bag (2' x 2' (0.6 m x 0.6 m) only) or Roller Bag (2' x 4' (0.6 m x 1.2 m) only)
- ◇ 2 Year Warranty

### ACCESSORIES:

- ◇ Shelf Kit 2' x 2' & 2' x 4' (0.6 m x 0.6 m & 0.6 m x 1.2 m) (Not Interchangeable)
- ◇ Expandable Leaf Kit (For Top)
- ◇ Leaf Shelf Kit
- ◇ Wheels
- ◇ Soft Surface Footpads (Included)

### CUSTOM COVERS:

- ◇ Stretch Fit
- ◇ Table Cover
- ◇ Fabric Skirt

### CUSTOM GRAPHIC OPTIONS:

- ◇ Imprint Graphics
- ◇ Full - Bleed Digital Printing



International E-Z UP, Inc.  
 1900 Second Street  
 Norco, California 92860  
 (951) 279-0999 • FAX (800) 810-8775

**TO ORDER:**  
**(800) 45-SHADE**  
**(800) 457-4233**



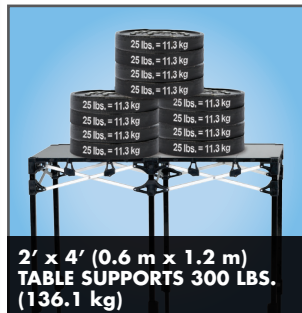
# Instant Table™ Modular Display Spec Sheet



**STACKABLE TOWER**



**ADJUSTABLE HEIGHTS**



**2' x 4' (0.6 m x 1.2 m)  
TABLE SUPPORTS 300 LBS.  
(136.1 kg)**



**ROLLING CART**



**WHEELS**



**EXPANDABLE LEAF KIT**



**CARRY BAG**



**MODULAR**



**ADJUSTABLE SHELF KIT**



**LOCKING CONNECTORS**

PRODUCT NAME	INSTANT TABLE™		SHELF KIT	LEAF KIT AND LEAF SHELF KIT
<b>SIZE</b>	2' x 2' (0.6 m x 0.6 m)	2' x 4' (0.6 m x 1.2 m)	2' x 2' <b>OR</b> 2' x 4' (0.6 m x 0.6 m <b>OR</b> 0.6 m x 1.2 m)	2' x 2' (0.6 m x 0.6 m)
<b>PRODUCT INCLUDES</b>	1 - 2' x 2' (0.6 m x 0.6 m) Frame 1 - Folding Top Panel 1 - Carry Bag 4 - Soft Surface Foot Pads	1 - 2' x 4' (0.6 m x 1.2 m) Frame 2 - Folding Top Panels 1 - Roller Bag 6 - Soft Surface Foot Pads	2 Shelf Braces to Fit 2' x 2' <b>OR</b> 2' x 4' (0.6 m x 0.6 m <b>OR</b> 0.6 m x 1.2 m) Instant Table™ 1 - Folding Top Panel 1 - Shelf Kit Carry Bag	2 - Leaf Braces 1 - Folding Top/Shelf Panel 1 - Carry Bag 4 - Connector Plugs
<b>WARRANTY</b>	2 Years			
<b>HEIGHT</b>	31" • 35" • 42" (80 cm • 90 cm • 107 cm)	31" • 35" • 42" (80 cm • 90 cm • 107 cm)	3 Adjustable Height Positions	
<b>MAX WEIGHT LOAD</b>	175 lbs. (79.4 kg)	300 lbs. (136.1 kg)	50 lbs. (22.7 kg)	Leaf Top 100 lbs. (45.4 kg) Leaf Shelf 50 lbs. (22.7 kg)
<b>ITEM WEIGHT</b>	22 lbs. (10.0 kg)	40 lbs. (18.1 kg)	10 lbs. – 11 lbs. (4.5 kg - 5.0 kg)	22 lbs. (10.0 kg)
<b>PACKAGE WEIGHT</b>	23 lbs. (10.4 kg)	42 lbs. (19.1 kg)	11 lbs. – 12 lbs. (5 kg - 5.4 kg)	23 lbs. (10.4 kg)
<b>BOX DIMENSIONS</b>	33" L x 9" W x 9.5" H (84 cm x 23 cm x 24 cm)	33" L x 9.5" W x 16.5" H (84 cm x 24 cm x 42 cm)	24" L x 12" W x 10" H (61 cm x 30 cm x 25 cm)	33" L x 9" W x 9.5" H (84 cm x 23 cm x 24 cm)

PRODUCT NAME	CONNECTOR PLUGS	FOOT PADS (4)	WHEELS (4)	TABLE TOPS
<b>ITEM WEIGHT</b>	.20 lbs. (0.1 kg)	.50 lbs. (0.2 kg)	.60 lbs. (0.3 kg)	6 lbs. (2.7 kg)
<b>PACKAGE WEIGHT</b>	2 lbs. (0.9 kg)	2 lbs. (0.9 kg)	2.3 lbs. (1.0 kg)	7 lbs. (3.2 kg)
<b>BOX DIMENSIONS</b>	12" L x 4" W x 3" H (30 cm x 10 cm x 8 cm)	4" L x 3" W x 3" H (10 cm x 8 cm x 8 cm)	4" L x 3" W x 3" H (10 cm x 8 cm x 8 cm)	18" L x 4" W x 3" H (46 cm x 10 cm x 8 cm)

International E-Z UP, Inc.  
1900 Second Street  
Norco, California 92860  
(951) 279-0999 • FAX (800) 810-8775

**TO ORDER:**  
**(800) 45-SHADE**  
**(800) 457-4233**



# Instant Table™ Covers & Skirts Spec Sheet



PRODUCT NAME	INSTANT TABLE™ COVERS			INSTANT TABLE™ SKIRTS		
<b>STANDARD SIZE</b>	2' x 2' x 30" (0.6 m x 0.6 m x 80 cm)	2' x 2' x 35" (0.6 m x 0.6 m x 90 cm)	2' x 2' x 42" (0.6 m x 0.6 m x 107 cm)	2' x 2' x 30" (0.6 m x 0.6 m x 80 cm)	2' x 2' x 35" (0.6 m x 0.6 m x 90 cm)	2' x 2' x 42" (0.6 m x 0.6 m x 107 cm)
	2' x 4' x 30" (0.6 m x 1.2 m x 80 cm)	2' x 4' x 35" (0.6 m x 1.2 m x 90 cm)	2' x 4' x 42" (0.6 m x 1.2 m x 107 cm)	2' x 4' x 30" (0.6 m x 1.2 m x 80 cm)	2' x 4' x 35" (0.6 m x 1.2 m x 90 cm)	2' x 4' x 42" (0.6 m x 1.2 m x 107 cm)
<b>MODULAR SIZE</b>	2' x 6' x 30" (0.6 m x 1.8 m x 80 cm)	2' x 6' x 35" (0.6 m x 1.8 m x 90 cm)	2' x 6' x 42" (0.6 m x 1.8 m x 107 cm)	2' x 6' x 30" (0.6 m x 1.8 m x 80 cm)	2' x 6' x 35" (0.6 m x 1.8 m x 90 cm)	2' x 6' x 42" (0.6 m x 1.8 m x 107 cm)
	2' x 8' x 30" (0.6 m x 2.4 m x 80 cm)	2' x 8' x 35" (0.6 m x 2.4 m x 90 cm)	2' x 8' x 42" (0.6 m x 2.4 m x 107 cm)	2' x 8' x 30" (0.6 m x 2.4 m x 80 cm)	2' x 8' x 35" (0.6 m x 2.4 m x 90 cm)	2' x 8' x 42" (0.6 m x 2.4 m x 107 cm)
	2' x 10' x 30" (0.6 m x 3.0 m x 80 cm)	2' x 10' x 35" (0.6 m x 3.0 m x 90 cm)	2' x 10' x 42" (0.6 m x 3.0 m x 107 cm)	2' x 10' x 30" (0.6 m x 3.0 m x 80 cm)	2' x 10' x 35" (0.6 m x 3.0 m x 90 cm)	2' x 10' x 42" (0.6 m x 3.0 m x 107 cm)
<b>PRODUCT INCLUDES</b>	Professional Grade Fabric, Choice of Fabric Colors & Heavy Duty Zipper Back			Professional Grade Fabric, Choice of Fabric Colors & Open Top Panel Skirt Wrap		
<b>HEIGHT</b>	30" (80 cm)	35" (90 cm)	42" (107 cm)	30" (80 cm)	35" (90 cm)	42" (107 cm)
<b>ITEM WEIGHT</b>	3 lbs. – 3.5 lbs. (1.4 kg - 1.6 kg)	3.5 lbs. – 4 lbs. (1.6 kg - 1.8 kg)	4 lbs. – 4.5 lbs. (1.8 kg - 2.0 kg)	2.75 lbs. – 3 lbs. (1.2 kg - 1.4 kg)	3 lbs. – 4 lbs. (1.4 kg - 1.8 kg)	3.5 lbs. – 4 lbs. (1.6 kg - 1.8 kg)
<b>PACKAGE WEIGHT</b>	3.5 lbs. – 4.5 lbs. (1.6 kg - 2.0 kg)	4 lbs. – 4.5 lbs. (1.8 kg - 2.0 kg)	5 lbs. (2.3 kg)	3 lbs. – 4.5 lbs. (1.4 kg - 2.0 kg)	3.5 lbs. – 4 lbs. (1.6 kg - 1.8 kg)	4 lbs. – 5 lbs. (1.8 kg - 2.3 kg)
<b>BOX DIMENSIONS</b>	14" L x 12" W x 2" H (36 cm x 30 cm x 5 cm)	14" L x 12" W x 2" H (36 cm x 30 cm x 5 cm)	14" L x 12" W x 2" H (36 cm x 30 cm x 5 cm)	14" L x 12" W x 2" H (36 cm x 30 cm x 5 cm)	14" L x 12" W x 2" H (36 cm x 30 cm x 5 cm)	14" L x 12" W x 2" H (36 cm x 30 cm x 5 cm)

International E-Z UP, Inc.  
1900 Second Street  
Norco, California 92860  
(951) 279-0999 • FAX (800) 810-8775

**TO ORDER:**  
**(800) 45-SHADE**  
**(800) 457-4233**

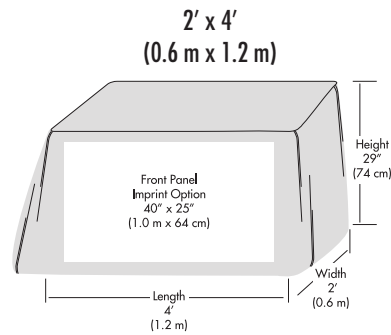
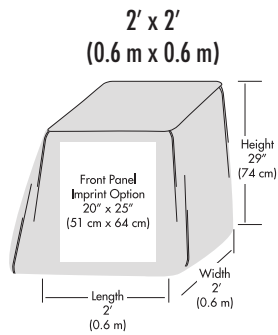


# Instant Table™ Custom Covers Spec Sheet



## E-Z UP® Table Throws:

Note: Grey Area Shows Full Bleed Digital Print Option



PRODUCT NAME	E-Z UP® TABLE THROWS	
SIZE	2' x 2' (0.6 m x 0.6 m)	2' x 4' (0.6 m x 1.2 m)
TABLE HEIGHT	29" (74 cm)	
PRODUCT INCLUDES	Professional Grade Fabric	
PRODUCT COMPATIBILITY	Instant Table™	Instant Table™ Vendor Table
SHIPPING WEIGHT	5 lbs. (2.3 kg)	6 lbs. (2.7 kg)
BOX DIMENSIONS	14.5" L x 13.5" W x 2.5" H (37 cm x 34 cm x 6 cm)	
WARRANTY	1 Year	

International E-Z UP, Inc.  
1900 Second Street  
Norco, California 92860  
(951) 279-0999 • FAX (800) 810-8775

**TO ORDER:**  
**(800) 45-SHADE**  
**(800) 457-4233**