

E-Z UP® GRAB & GO TABLE COVERS



E-Z UP® GRAB & GO TABLE COVER

We've made it even easier to place your brand front and center with our new Grab & Go Table Cover. Our table cover is an instant solution for giving your Vendor Table a professional look with space to stow your materials out of sight.

Our table covers come in three available colors and sizes to enhance your E-Z UP® shelter setup. Your logo or message can be added with our award-winning custom printing in as little as 24 hours.

Now Grab & Go!

FEATURES

- Commercial-Grade Fabric
- Heavy-Duty Zipper Back for Ease of Use
- Available in 3 Colors & Sizes
- Fusion Printing
- 2-Year Warranty
- Accessory Tote

RECOMMENDED USES

- Marketing Events
- Advertising
- Sponsorship Recognition
- Fairs and Festivals
- Fundraisers
- Farmers Market
- Schools
- Property Management
- Recruitment



UP for Messaging.

UP for Branding.

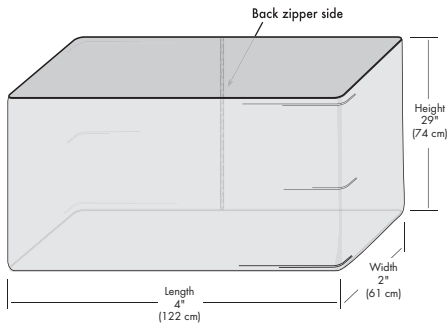
UP for Everything.™

E-Z UP® GRAB & GO TABLE COVERS



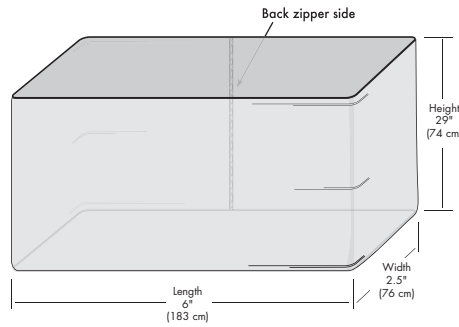
2' x 4' x 29"

(61 cm x 122 cm x 74 cm)



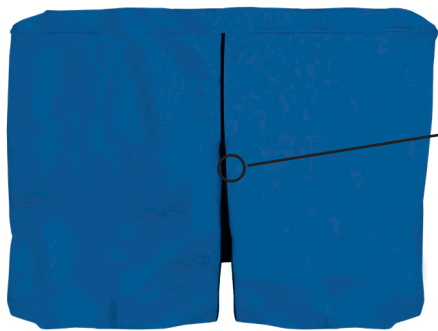
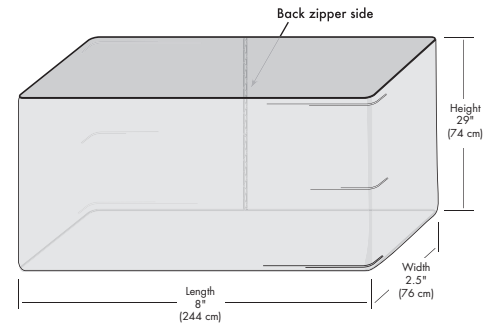
2.5' x 6' x 29"

(76 cm x 183 cm x 74 cm)



2.5' x 8' x 29"

(76 cm x 244 cm x 74 cm)



Back Side of Table Cover



HEAVY-DUTY ZIPPER

Durable and E-Z to use for secure closing

AVAILABLE SIZES

- 2' x 4' x 29" (61 cm x 122 cm x 74 cm)
- 2.5' x 6' x 29" (76 cm x 183 cm x 74 cm)
- 2.5' x 8' x 29" (76 cm x 244 cm x 74 cm)

AVAILABLE STOCK COLORS



OPTIONAL ACCESORIES

- E-Z UP® Shelter
- Vendor Table
- Deluxe Weight Bags
- Heavy-Duty Stake Kit
- Sidewalls & Railskirts
- Flags and Banners
- Directors Chairs
- Graphic Sails & Liners
- Event Lights

GRAB & GO TABLE COVERS

SIZE	2' x 4' x 29" (61 cm x 122 cm x 74 cm) 2.5' x 6' x 29" (76 cm x 183 cm x 74 cm) 2.5' x 8' x 29" (76 cm x 244 cm x 74 cm)
TOP FABRIC	Commerical-Grade Fabric
CUTSOM PRINTING OPTIONS	Fusion Printing
WARRANTY	2 Years

International E-Z UP, Inc.

1900 Second Street
Norco, California 92860
(951) 279-0999 • FAX (800) 810-8775

TO ORDER:

(800) 45-SHADE

(800) 457-4233