



CANOPY COUNTER/BAR TOP



CANOPY NOT INCLUDED

Creating your perfect service booth is now easier than ever. The adjustable Canopy Counter/Bar Top comes in both 10' and 20' sizes, instantly providing a functional countertop. Ideal for serving food or drinks, checking in guests at events, or displaying products at trade shows.

Enhance your display or workspace with the included custom printed banner that easily installs beneath your countertop boosting brand presence and visibility. It also doubles as a practical solution for keeping your items hidden from view. The Canopy Counter/Bar Top is perfect for street fairs, registration booths, festivals and more.

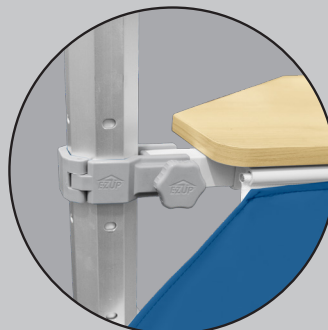
This addition to the customizable E-Z Event System™ is designed to optimize your canopy setup and helps you stand out in the crowd.

FEATURES

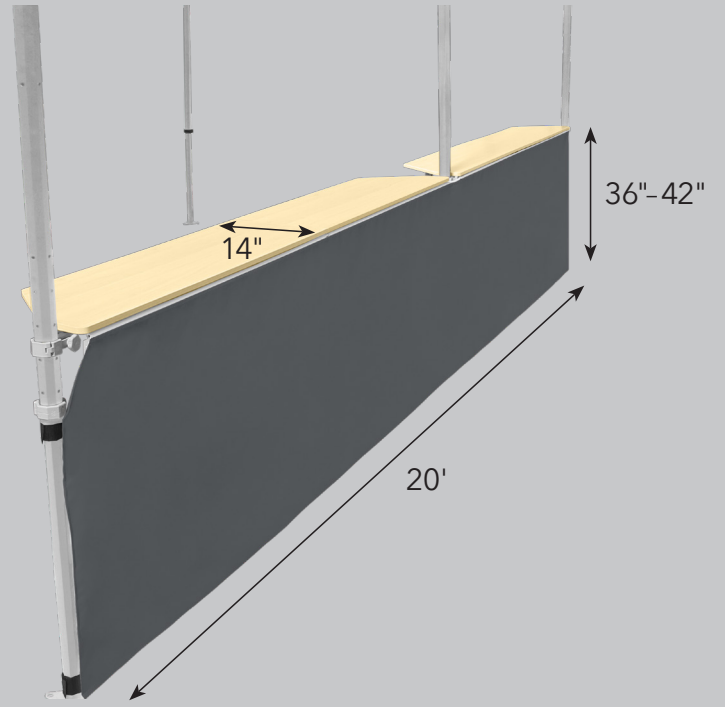
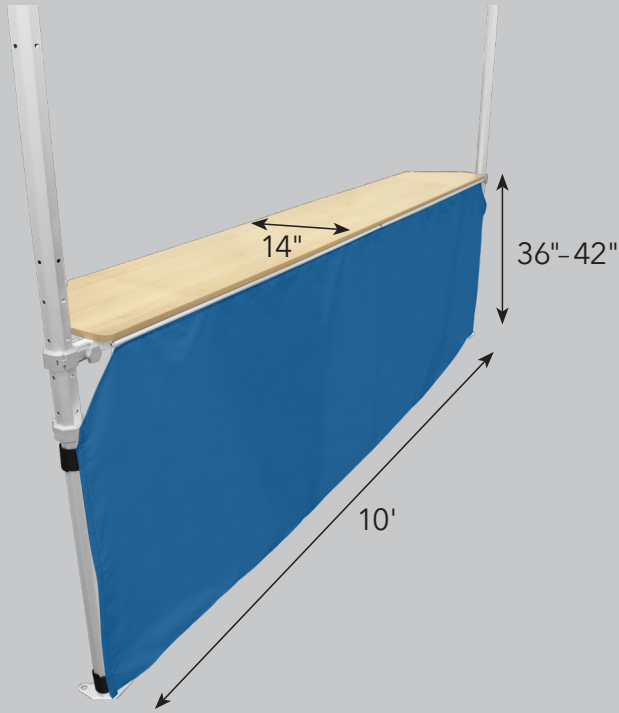
- 2 Height Settings
 - 36" Counter Height
 - 42" Bar Height
- Easy-to-Clean Composite Countertop
- Sturdy Steel Support Legs
- Weighs 54 lbs. (10' Counter) and 108 lbs. (20' Counter)
- Customize Banner with Your Logo or Branding
- Professional Grade Fabric
- Single-Sided Printing Available
- Designed to Fit Straight Leg Canopies
- Attaches to Canopy Leg with E-Z Brackets (Patent Pending)
- Easy to Use Thumb Screws - No Tools Needed for Installation
- Includes Roller Bag with Large Exterior Storage Pocket
- Canopy Not Included



CANOPY NOT INCLUDED



CANOPY NOT INCLUDED



SPECIFICATIONS

	10ft	20ft
PRODUCT DIMENSIONS	9' 9" L x 36" W or 42" W x 14" D (281 cm x 91 cm or 107 cm x 36 cm)	19' 7" L x 36" W or 42" W x 14" D (6 m x 91 cm or 107 cm x 36 cm)
ITEM WEIGHT	54 lbs (24.5 kg)	108 lbs (49 kg)
SHIPPING DIMENSIONS	60" L x 16" W x 6" H (152 cm x 41 cm x 15 cm)	60" L x 16" W x 6" H (152 cm x 41 cm x 15 cm)
SHIPPING WEIGHT	55 lbs (24.9 kg)	121 lbs (55 kg)
WARRANTY	1 Year	

CANOPY COUNTER/BAR TOP

International E-Z UP, Inc.
 1900 Second Street
 Norco, California 92860
 (951) 279-0999 • FAX (800) 810-8775

TO ORDER:
(800) 45-SHADE
 (800) 457-4233