



## WHAT'S IN THE BOX

Your Work Cube™ Product Includes: Work Cube Product, Accessory Bag, and Stakes

## SET UP

**NOTE:** To prolong the life of the Work Cube floor, select a leveled site clear of rocks, branches, and other hard or sharp objects.

1. Set up your E-Z UP® shelter in the area that you intend to work, leaving your shelter legs retracted.
2. Slightly lift up the fabric valance corners on the corner of your shelter. Repeat on remaining corners.
3. Remove the Work Cube product from the carry bag and center it under your shelter.
4. Spread out the Work Cube product, floor side down, and position the doorway at your desired entrance.
5. Attach **Center FXT Clips** and **Center Hook and Loop Straps** to shelter. (See Product Key.)
  - (1) Locate the **Center FXT Clips** (with orange webbing). Attach the **Center FXT Clips** to peak truss of the shelter, adjacent to each other. (Fig. A)
  - (2) Locate the **Center Hook and Loop Straps** (with orange webbing). Attach the **Center Hook and Loop Straps** to peak of the shelter, adjacent to each other. (Fig. B)
6. Locate the **Corner Attachment Hooks**. Attach the **Corner Attachment Hooks** to the **Corner Attachment Points**. (Fig. C1) Tighten or loosen **Adjustment Straps** to achieve desired fit. (Fig. C2)
7. Locate the **Side Attachment Hooks** on the center of each of the four sides of the Work Cube product and attach to the **Side Attachment Points**. (Fig.D) Tighten or loosen **Adjustment Straps** to achieve desired fit. (Fig. C2)
8. Attach the **Side FXT Clips** located on each of the four sides of the Work Cube product to your shelter's truss system. (Fig.E)
9. Pull the fabric top corner down over the frame leg. Repeat on remaining corners.
10. Raise your shelter to desired height with a recommendation of third height setting.
11. Attach the **Floor Attachment Hooks** into the provided hole on the lower part of each leg. (Fig. F)
12. Wrap the **Leg Hook and Loop Straps** around the legs of the shelter. (Fig. G)
13. Locate the **Fabric Attachment Tabs** located at the bottom of each wall of the Work Cube product. Insert a spike through the **Fabric Attachment Grommet**. Drive the spike firmly into the ground. (Fig. H)

## TAKE DOWN

1. Clean/sweep floor and let air dry prior to folding to keep clean and mold free.
2. Repeat steps in reverse of assembly.

## CARE & MAINTENANCE

- Use a mild soap (not detergent) and plenty of water for cleaning. Let the E-Z UP® Work Cube product dry completely before closing or storing to avoid mildew.
- Store in the Carry Bag provided.

### Important Information:

- Interior O Ring Hanger(s) is not to exceed 5 lbs. hanging weight.
- E-Z UP Instant Shelter® products are designed as a temporary shelter.
- Do not leave up for extended periods.
- Do not use your Work Cube product in a lightning storm.
- Do not leave your Work Cube product unattended.
- Do not build fires within your Work Cube product enclosure.

\*Feature Instructions on Back

Warranty Information: [www.ezup.com/warranties](http://www.ezup.com/warranties)

### WARNING!

Always weigh down your E-Z UP shelter. Do not leave your E-Z UP shelter unattended. Do not depend on Weight Bags to secure shelter in heavy winds. For your safety, stake your E-Z UP shelter down in any potentially windy or rainy weather.

## PRODUCT KEY

- A** Center FXT Clips
- B** Center Hook and Loop Straps
- C** Corner Attachment Hooks
- D** Side Attachment Hooks
- E** Side FXT Clips
- F** Floor Attachment Hooks
- G** Leg Hook and Loop Straps
- H** Fabric Attachment Tabs

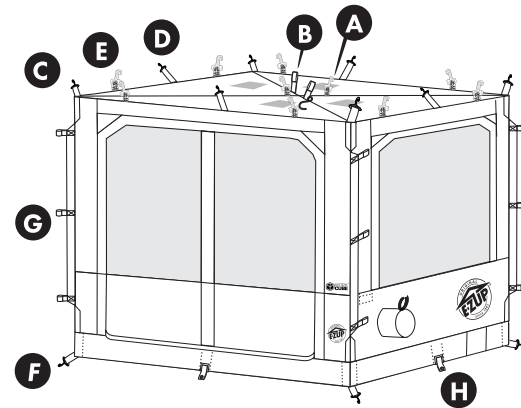


Fig. A Center FXT Clip

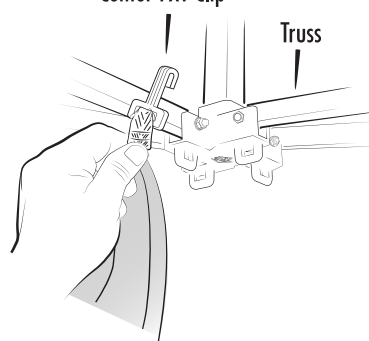


Fig. B Center Hook and Loop Strap

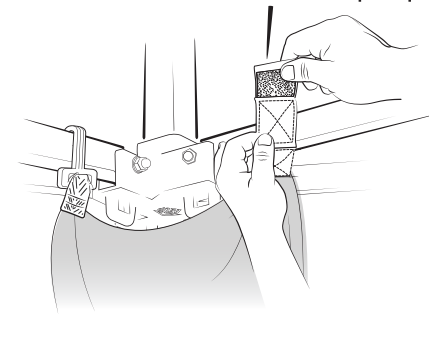


Fig. C1

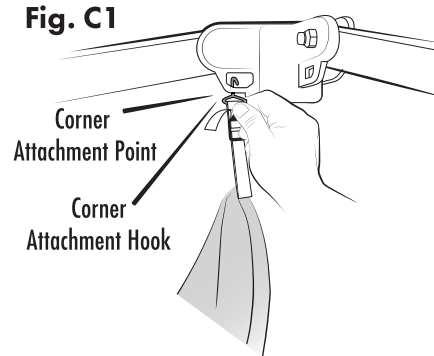


Fig. C2

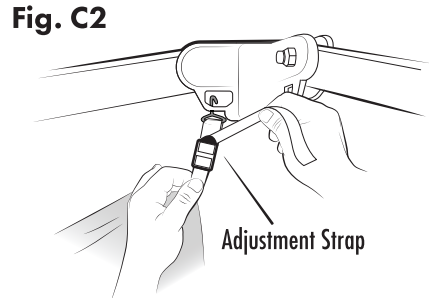


Fig. D

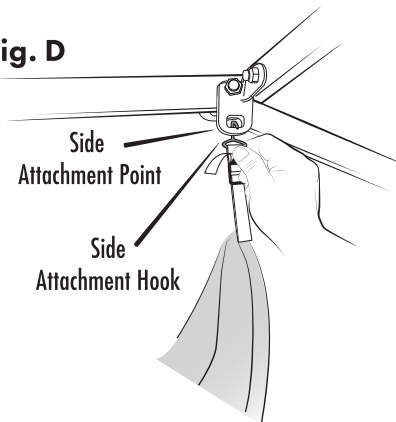


Fig. E

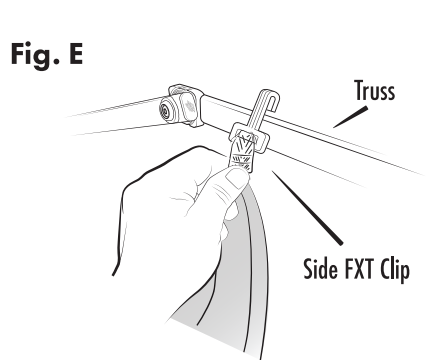


Fig. F

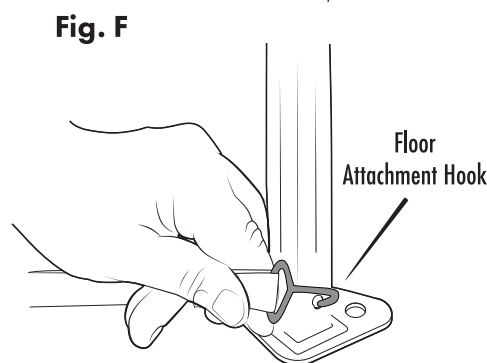


Fig. G

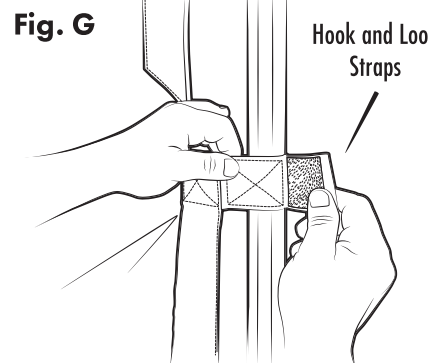
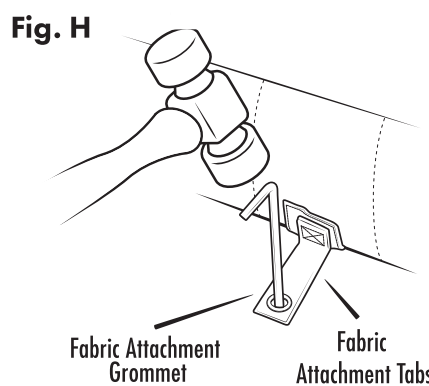


Fig. H





## FEATURES

**NOTE:** Set up Work Cube product by using the instructions on the reverse of this page prior to utilizing its features.

### UTILITY DUCT (FIG. A)

1. Unzip Utility Duct Cover.
2. Insert desired duct product (not included) in Utility Duct opening.
3. Secure duct with adjustable Drawstring to desired fit.

### FILTER POCKET (FIG. B)

1. Open Hook and Loop.
2. Insert desired 14" x 14" filter (not included) into Filter Pocket.
3. Secure Hook and Loop

### DUAL CONTAINMENT DOORS (FIG. C) TO OPEN

1. Detach Hook and Loops
2. Unzip the zipper completely around door.
3. Starting at the bottom, roll up the door to the top.
4. Secure the rolled-up door by wrapping the Toggle around one end and the Loop around the other. Fit the Toggle through the strap and twist to secure.

### TO CLOSE

1. Detach the Toggle from the Loop and allow door to unroll completely.
2. Close the zipper completely around door.
3. Attach Hook and Loops

### ROLL-UP WINDOWS (FIG. D)

1. Unzip the zipper completely around window.
2. Roll up window to the wall.
3. Secure the rolled-up window by wrapping the Toggle around one end and the Loop around the other. Fit the Toggle through the strap and twist to secure.

### REMOVEABLE FLOOR (FIG. E)

1. Unhook Floor Attachment Hooks on all 4 corners.
2. Locate floor zippers and unzip all the way around cube.
3. Wash and allow to completely dry or replace floor and repeat steps in reverse order to reattach to Work Cube.

## FEATURE KEY

- A** Utility Duct
- B** Filter Pocket
- C** Dual Containment Doors
- D** Roll-Up Windows
- E** Removable Floor

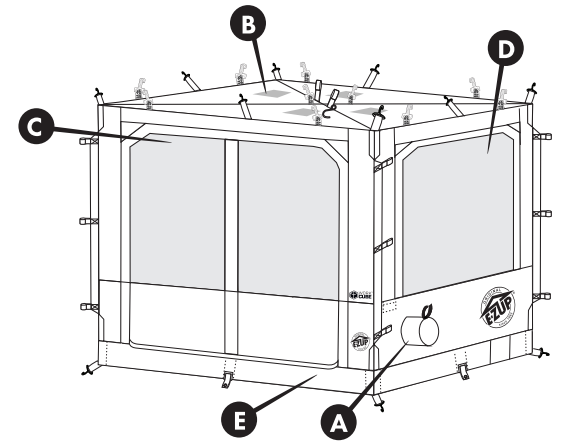


Fig. A Utility Duct Cover

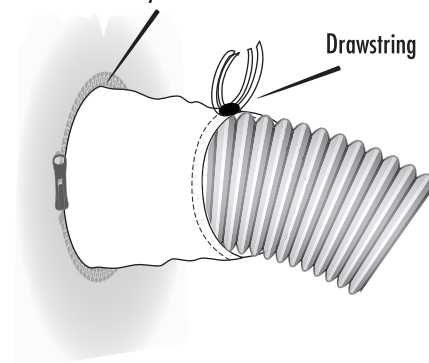


Fig. B

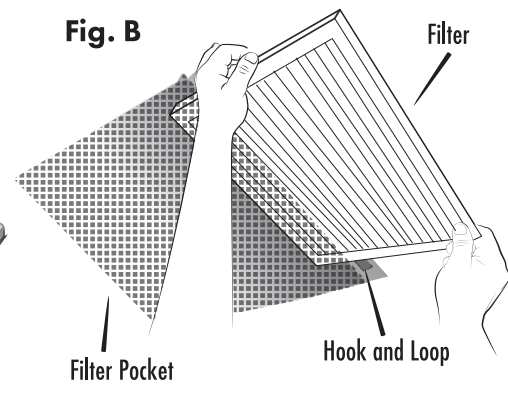


Fig. C

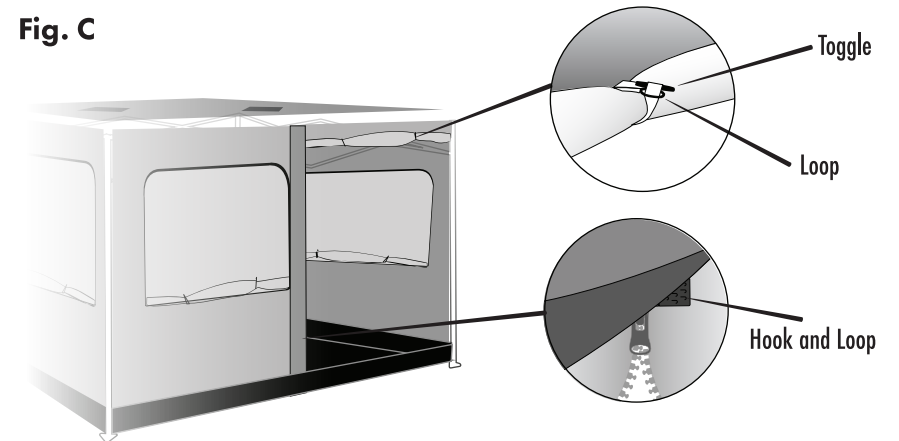


Fig. D

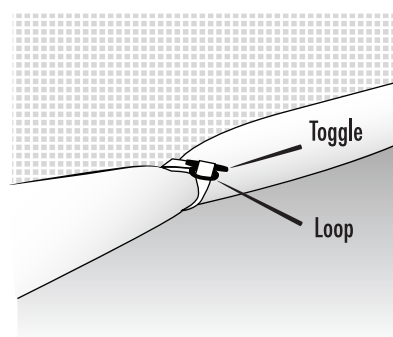


Fig. E

