



INSTRUCTIONS FOR RAILSKIRT HARDWARE

What's in the Kit Box: (one of the following kits)

5' Railskirt Kit - (2) Railskirt Poles, (2) Fixed 90° Corner Brackets, includes adapters, (1) Connector

8' - 10' - 15' Railskirt Kit - (2) Railskirt Poles, (2) Fixed 90° Corner Brackets, includes adapters, (1) Connector with Support "T" Leg

13' - 16' - 20' Hex Railskirt Kit - (2) Railskirt Poles, (2) Fixed 120° Corner Brackets, includes adapters, (1) Connector with Support "T" Leg

The railskirt hardware is designed to fit on many different E-Z UP® Instant Shelter® models. Depending on which model shelter you own, you may need to install one of the included adapters. Before proceeding make sure the shelter is fully opened and elevated to the desired height.

| | | | | |
|---|-------------|---------|-----------|----------------|
| | Eclipse™ II | HUT™ II | POPTM™ II | Enterprise™ II |
| No Adapter: | ● | ● | ○ | ○ |
| Thin Adapter: | ○ | ○ | ● | ● |
| Thick Adapter: (included adapter not applicable) | | | | |

Step 1. (1a) Open the fixed corner bracket by lifting locking pin up and opening the jaws. (1b) If required, insert the center plug of the appropriate adapter into the adapter hole on the bracket. Press firmly into place.

Step 2. Locate the open rail mounting hole in the shelter leg approx. 37" from ground.

(2a) With the bracket open and locking pin up, wrap bracket around the leg and insert the guide tab on the bracket into the hole of the leg.

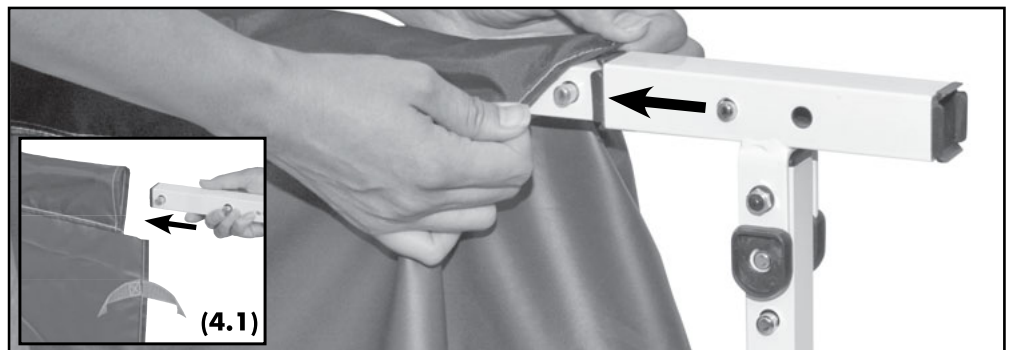
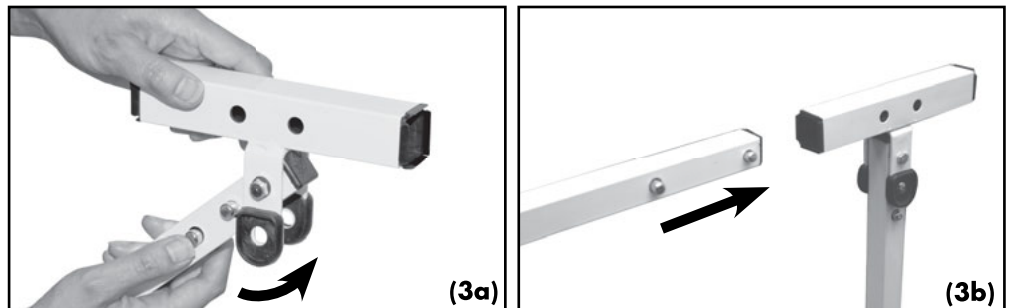
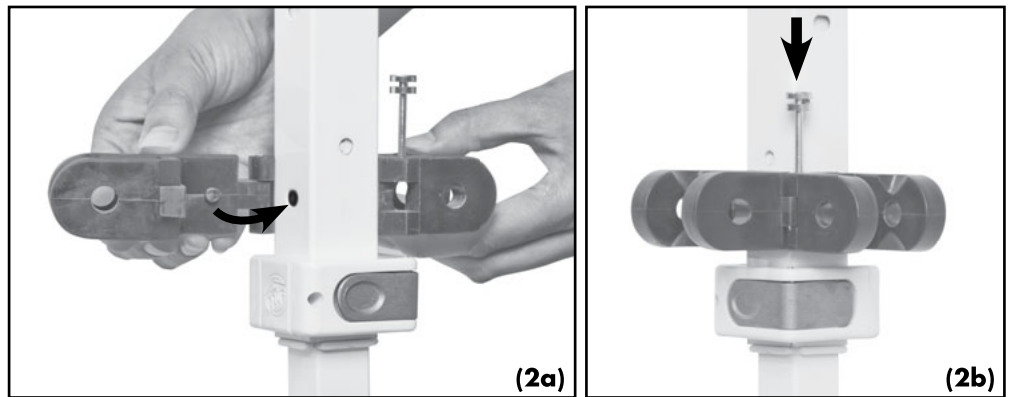
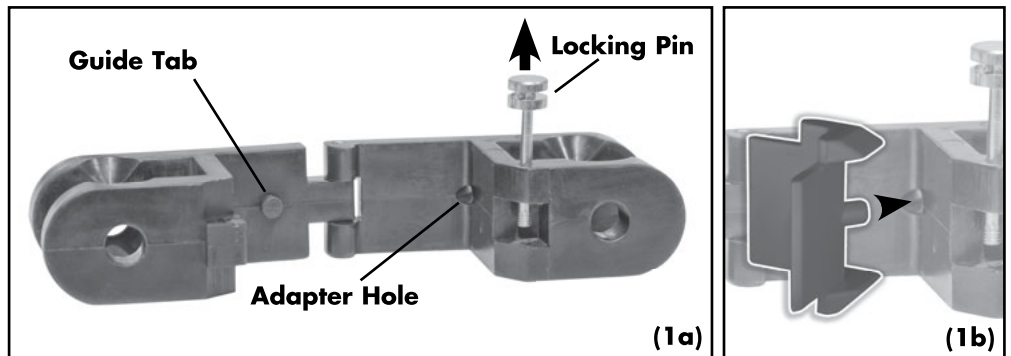
(2b) With the tab securely in place, continue wrapping the bracket fully around the leg and push the locking pin down to secure.

Repeat the above steps to install the second fixed corner bracket on the adjacent leg.

Step 3. (3a) Ensure that the connector support leg is unfolded and snapped into a "T" position. (3b) Attach one of the railskirt poles to the "T" connector and verify that the snap buttons click into a locked position.

Note: Skip Step 3. for 5' railskirt kit

Step 4. At the center opening of the railskirt fabric, slide the railskirt pole through the top fabric sleeve. Note: **(4.1)** For 5' railskirt kit, slide the railskirt pole through the outside end of the top fabric sleeve.



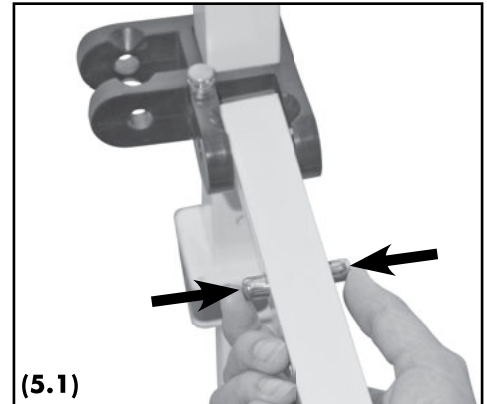
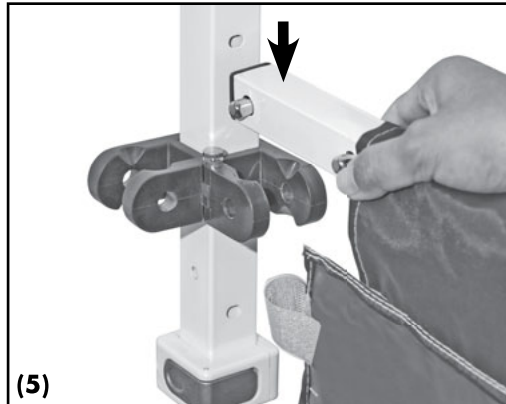
CONTINUED ➔



INSTRUCTIONS FOR RAILSKIRT *HARDWARE CONTINUED*

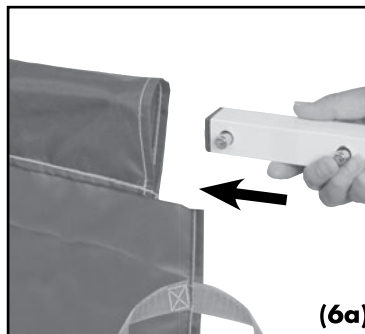
Step 5. Align the snap buttons on the railskirt pole end onto the ramped guide of the bracket. Press down on the pole until both snap buttons engage.

Note: (5.1) To remove the railskirt pole from the shelter, press both exposed snap buttons on the railskirt pole and slide off the fixed corner bracket.



Step 6. (6a) Slide the second railskirt pole into the other side of the top fabric sleeve from the outside toward the connector. (6b) Attach the second railskirt pole to the "T" connector and verify that the snap buttons click into a locked position.

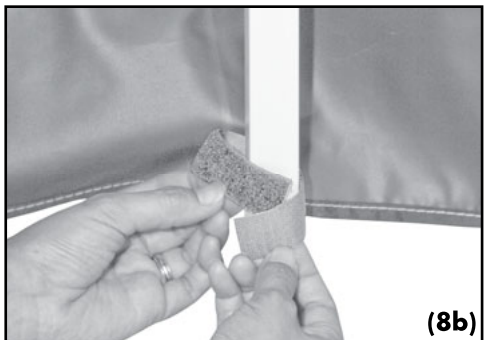
Note: Skip Step 6. for 5' railskirt kit



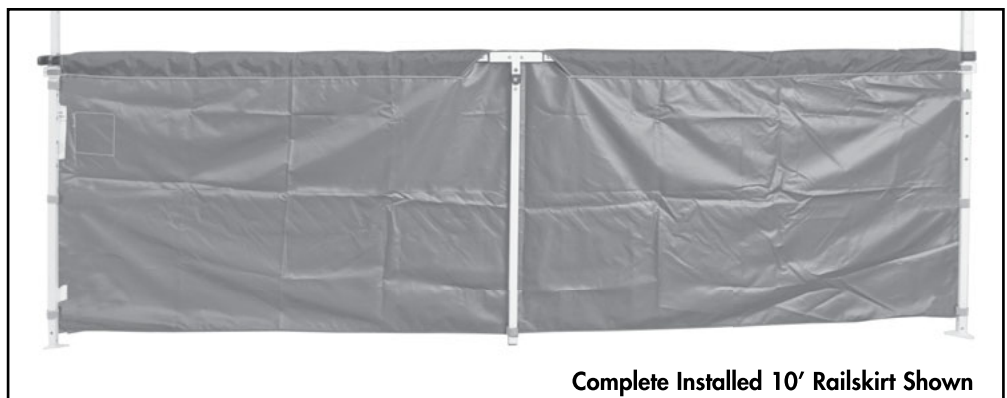
Step 7. Attach the opposite side of the railskirt pole to the fixed corner bracket on the adjacent leg, as done on Step 5.

Step 8. (8a) Wrap the railskirt quick attachment straps around the shelter legs and fasten. (8b) Attach the quick attachment strap located in the middle of the bottom edge of the railskirt fabric around the removable support leg.

Note: Skip Step (8b) for 5' railskirt kit



To remove the railskirt assembly from the shelter, repeat the above steps in reverse order.



INTERNATIONAL E-Z UP, INC.

1900 Second Street, Norco, California 92860 USA

Phone (951) 279-0999 • Fax (951) 279-0888 **ezup.com**

800-45 SHADE
800-457-4233