



# Instructions For PROUMBRELLA BASE & POLE ASSEMBLY

**What's in the Base Box:** (1) ProUmbrella™ Base Plate, (1) ProUmbrella™ Base Tube with Hand Locking Bolts  
**What's in the Pole Box:** (1) ProUmbrella™ Top Pole Section with Fabric Top, (1) ProUmbrella™ Bottom Pole Section

**Before beginning assembly of this product, make sure all parts are present. ProUmbrella™ Base is sold separately. If any part is missing or damaged, do not attempt to assemble the product or return to the place of purchase. Contact our customer service toll free at 800-45 SHADE.**

**Note: Fabric top and top pole are shipped attached. Assemble the umbrella and base in an area free from any object that may damage or tear the fabric of the umbrella when opened.**

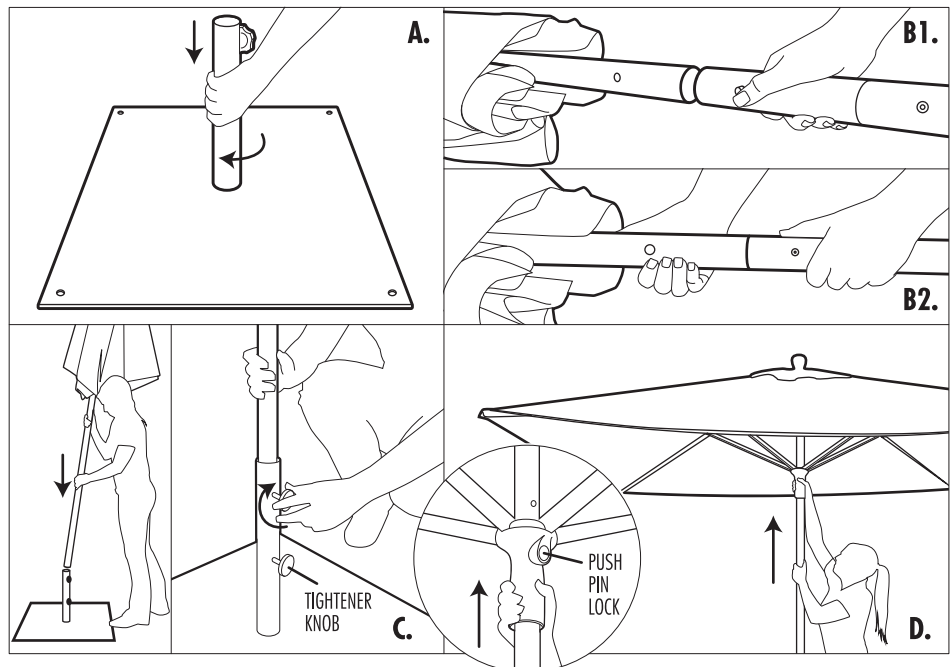
## HOW TO SETUP

**A. Base Assembly** - Remove all components from packaging. Screw the base tube into the base plate. Use caution when handling.

**B. Pole Assembly** - (B1.) Attach the bottom pole of the umbrella by inserting it into the top umbrella pole until it engages the snap button. (B2.) Ensure segments are fully inserted and snap button is secured for proper fit.

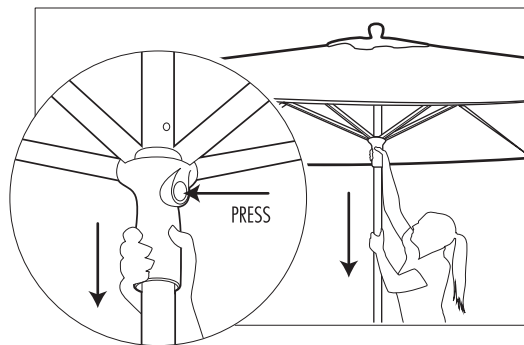
**C.** Insert the umbrella pole into the base tube and secure by tightening the two tightener knobs.

**D.** Open the umbrella, pushing up gently on the center hub until it engages the push pin lock.



## HOW TO TAKE DOWN

To close the umbrella, press the push pin lock on the center hub to disengage and slowly lower the umbrella as shown below. For e-z transportation and storage, detach bottom pole, place umbrella and bottom pole inside the protective carry bag.



©Copyright 2016 International E-Z UP, Inc. USA. All rights reserved.

## IMPORTANT INFORMATION

- Do not use in any potentially windy or rainy weather. Wind and rain can damage the E-Z UP® ProUmbrella™ product and may also result in injury to you or others. Therefore, do not rely on the umbrella for protection in heavy or prolonged rain storms.
- The E-Z UP® ProUmbrella™ product is designed for temporary use. Do not leave unattended or up for extended periods of time.
- Use caution when handling, avoid pinching hands or fingers as umbrella opens or closes.
- Do not use the E-Z UP® ProUmbrella™ product during electrical or lightning storms.
- Do not set up within 30 feet of power lines.
- Do not build fires within umbrella enclosure.

## CARE & MAINTENANCE

- Use a mild soap (not detergent) and plenty of water for cleaning.
- Let the E-Z UP® ProUmbrella™ top dry completely before closing or storing to avoid mildew.

## PRODUCT WARRANTY

INTERNATIONAL E-Z UP, INC., manufacturer of the E-Z UP® ProUmbrella™, warrants to the original purchaser who provides a dated sales receipt from an Authorized Dealer, each part to be free from defects in material or workmanship for a period of one year after the date of original purchase. This warranty applies only for normal and expected uses, as determined by the manufacturer.

**INTERNATIONAL E-Z UP, INC.**  
1900 Second St. Norco, California 92860

**800-45-SHADE**

**The #1 Instant Shelter® Brand in the World**

**ezup.com**