



# Instructions For DELUXE DOUBLE-SIDED RAILSKIRT HARDWARE

## What's in the Kit Box:

**10' Railskirt Kit** - (4) Railskirt Poles, (4) Fixed 90° Corner Brackets (includes adapters), (1) Connector with Support "T" Leg and (1) Base Plate

The 10' deluxe railskirt hardware is designed to fit many different E-Z UP® Instant Shelter® models. Depending on which model shelter you own, you may need to install one of the included adapters. Before proceeding make sure the shelter is fully opened and elevated to the desired height.

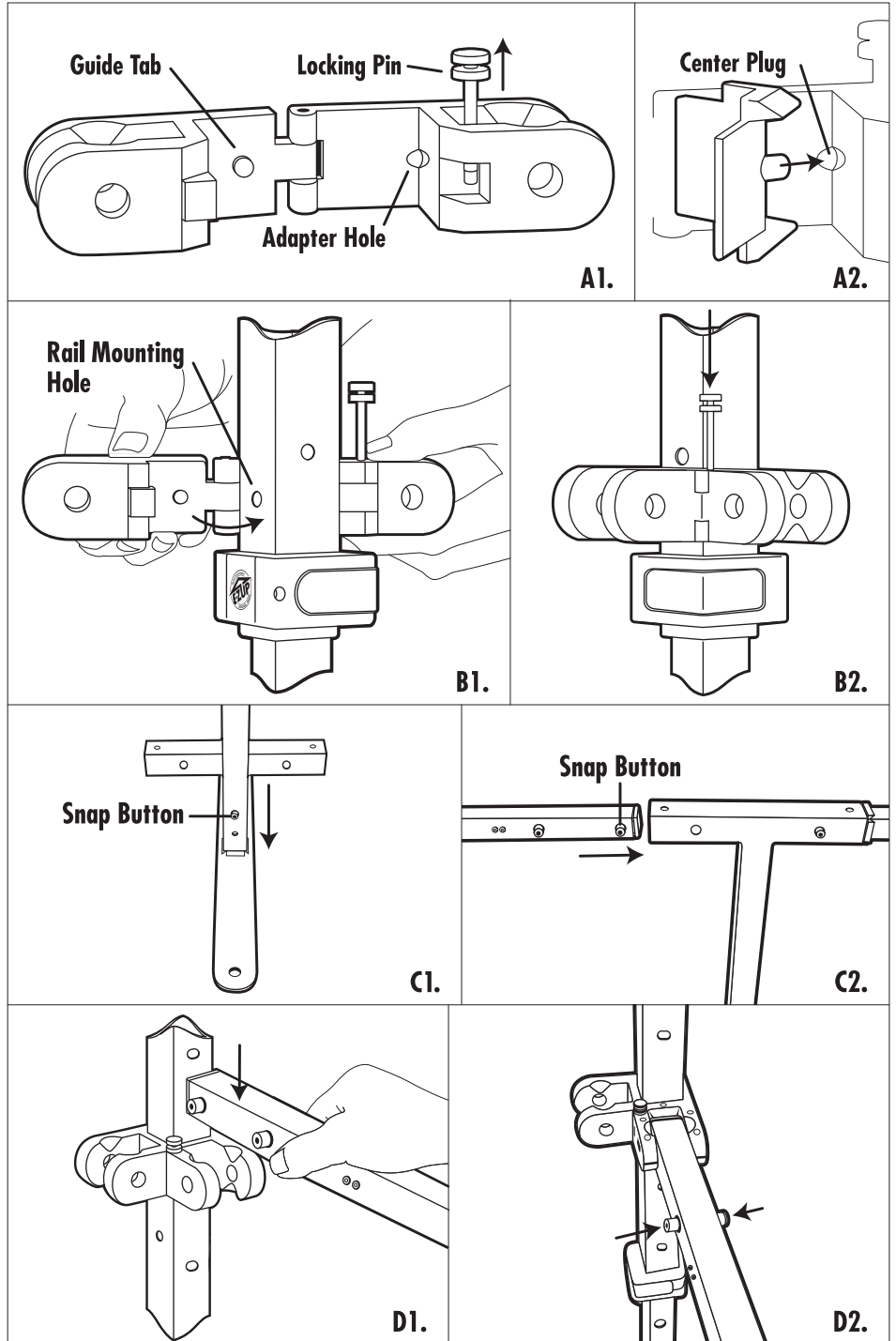
	Eclipse™	Vantage™	Pyramid™	Hut™	Enterprise™
<b>No Adapter:</b>	●	○	○	●	○
<b>Thin Adapter:</b>	○	●	●	○	●
<b>Thick Adapter:</b>	○	○	○	○	○

**A.** (A1.) Open the fixed corner bracket by lifting locking pin up and opening the wrap bracket. (A2.) If required, insert the center plug of the appropriate adapter into the adapter hole on the bracket. Press firmly into place.

**B.** Locate the open rail mounting hole in the shelter leg approx. 37" from ground. (B1.) With the bracket open and locking pin up, wrap bracket around the leg and insert the guide tab into the hole of the leg. (B2.) With the tab securely in place, continue wrapping the bracket fully around the leg and push the locking pin down to secure. Repeat the above steps to install the other three fixed corner brackets on the legs (see last picture on page 2).

**C.** (C1.) Insert the support "T" leg into the base plate until the snap engages. (C2.) Attach one of the railskirt poles to the "T" connector and verify that the snap buttons click into a locked position.

**D.** (D1.) Align the snap buttons on the railskirt pole end onto the ramped guide of the bracket. Press down on the pole until both snap buttons engage. (D2.) To remove the railskirt pole from the shelter, press both exposed push buttons on the railskirt pole and slide off the fixed corner bracket.



Instructions Continue →



# Instructions For DELUXE DOUBLE-SIDED RAILSKIRT HARDWARE

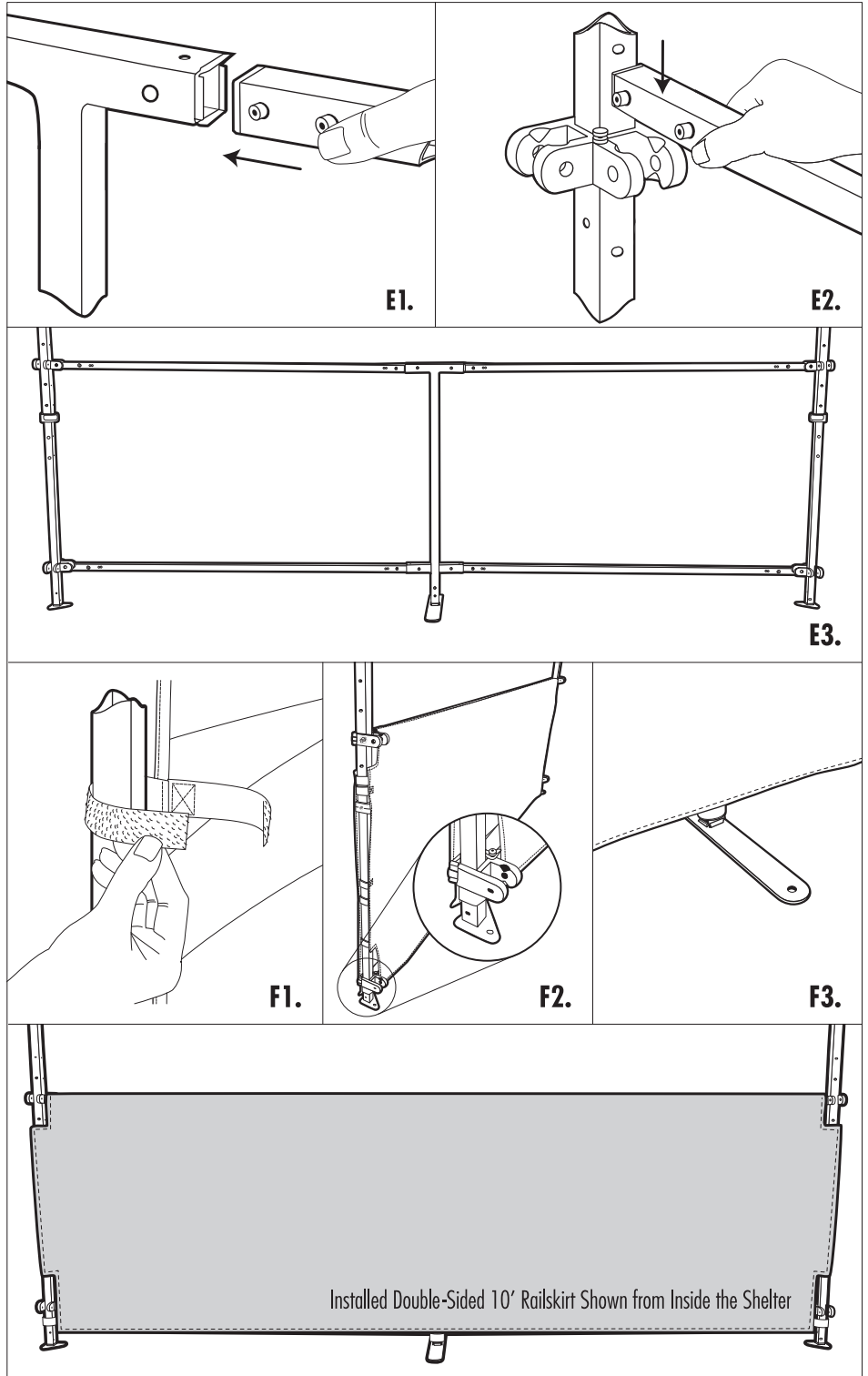
(Instructions Continued)

**E.** (E1.) Attach the second railskirt pole to the "T" connector and verify that the snap buttons click into a locked position. (E2.) Align the snap buttons on the railskirt pole. Press down on the pole until both snap buttons engage.

**(E3.) Repeat steps E1. and E2. for both lower railskirt poles.**

**F.** Drape the double sided fabric over the railskirt. (F1.) Wrap the hook and loop straps around the shelter leg (6 places). (F2.) The lowest hook and loop strap helps support the lower rail. Repeat wrapping hook and loop straps on other side to shelter leg. (F3.) Wrap 2 hook and loop straps around the bottom of the "T" leg at the base (2 places).

To remove the railskirt assembly from the shelter, repeat the above steps in reverse order.



© Copyright 2023 International E-Z UP, Inc. USA. All rights reserved.

**INTERNATIONAL E-Z UP, INC.**  
1900 Second St. Norco, California 92860

**800-45-SHADE**

The #1 Instant Shelter® Brand in the World

**ezup.com**